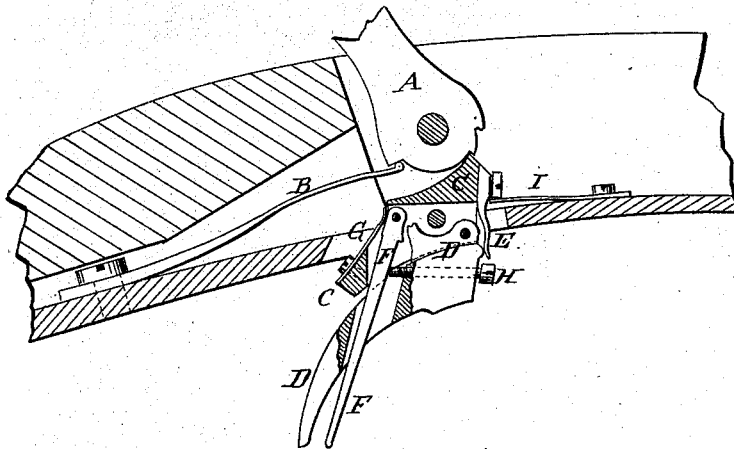


E. A. F. TOEPPERWEIN.  
Hair-Trigger for Fire-Arms.

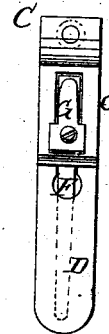
No. 215,695.

Patented May 20, 1879.

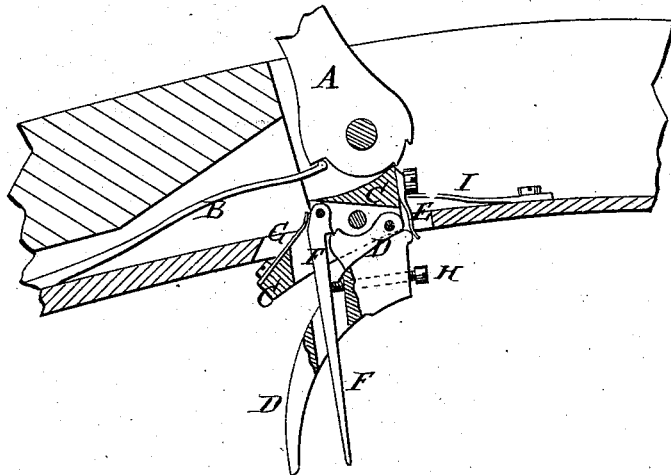
*Fig: 1.*



*Fig: 3.*



*Fig: 2.*



WITNESSES:

*Chas. Nida*  
*C. Sedgwick*

INVENTOR:

*E. A. F. Toepperwein*  
BY *Mum Ho*  
ATTORNEYS.

# UNITED STATES PATENT OFFICE.

EMIL A. F. TOEPPERWEIN, OF BOERNE, TEXAS.

## IMPROVEMENT IN HAIR-TRIGGERS FOR FIRE-ARMS.

Specification forming part of Letters Patent No. **215,695**, dated May 20, 1879; application filed March 6, 1879.

### *To all whom it may concern:*

Be it known that I, EMIL ALBRECHT FERDINAND TOEPPERWEIN, of Boerne, in the county of Kendall and State of Texas, have invented a new and useful Improvement in Hair-Triggers for Fire-Arms, of which the following is a specification.

Figure 1 is a side view of my improved trigger, showing the hair-trigger unset, and parts being broken away to show the construction. Fig. 2 is the same view as Fig. 1, but showing the hair-trigger set. Fig. 3 is a detail rear view of the same.

Similar letters of reference indicate corresponding parts.

The object of this invention is to furnish an improved trigger for fire-arms which shall be provided with a hair-trigger in such a way that the hair-trigger may be used or not, as may be desired, and which shall be complete in itself, so that it may be applied to any kind of fire-arm without change in its construction.

The invention consists in the combination of the hair-trigger and its spring and set-screw with the trigger, the trigger-block, and their spring, as hereinafter fully described.

A represents the hammer-shank, and B the hammer-spring, of a gun. C is the trigger-block, which engages with notches in the hammer-shank A when the hammer is cocked and half-cocked.

The trigger-block C is pivoted to the lock-case, and to its forward lower corner is pivoted the trigger D, which passes into a slot in the said trigger-block C, and has its fulcrum upon the pivot of the said block C.

The trigger D is held back in place by a spring, E, attached to the forward part of the trigger-block C, and the free end of which rests against the forward end of the trigger D.

F is the hair-trigger, which passes through a hole in the trigger D, enters the rear part of the slot in the trigger-block C, and is pivoted at its inner end to the rear part of the said trigger-block C. Upon the forward side of the inner end of the hair-trigger F is formed a shoulder, to engage with a notch in the projection formed upon the rear part of the inner end of the trigger D, as shown in Fig. 2.

The hair-trigger F is held forward, to engage with the trigger D, by a spring, D, attached to the rearwardly-projecting end of the trigger-block C, or to the rear side of the trigger D, and the free end of which rests against the rear side of the inner part of the hair-trigger F.

The hair-trigger F may be adjusted to any desired delicacy by means of a set-screw, H, which passes back through a screw-hole in the trigger D, so that the said hair-trigger F may strike against it, and may thus have its forward movement limited.

The trigger-block C is held up against the hammer-shank A by a spring, I, attached to the lock-case, as shown in Figs. 1 and 2.

The hammer being drawn back so as to cause the trigger-block C to engage the lower notch on the hammer-shank A and hold it in position, the hair-trigger F is set by pushing the trigger D forward until the shoulder of the said hair-trigger F engages with the notch of the said trigger D. This forward motion of the trigger D causes the spring E, which bears against the forward end of the said trigger, to be left under great tension, and by pulling on the hair-trigger F until its shoulder is released from the notch in the trigger D the spring E will force the trigger D backward against the pivot of the hammer-block C, the concussion of which disengages the said block from the hammer-shank.

With this construction the trigger D may be used without any reference to the hair-trigger F, the said hair-trigger F being only used when desired.

Having thus described my invention, I claim as new and desire to secure by Letters Patent—

The combination of the hair-trigger F, and its spring G and set-screw H, with the trigger D, the trigger-block C, and their spring E, substantially as herein shown and described.

EMIL ALBRECHT FERDINAND TOEPPERWEIN.

Witnesses:

H. THEIS,  
JOHN REINHARD.